

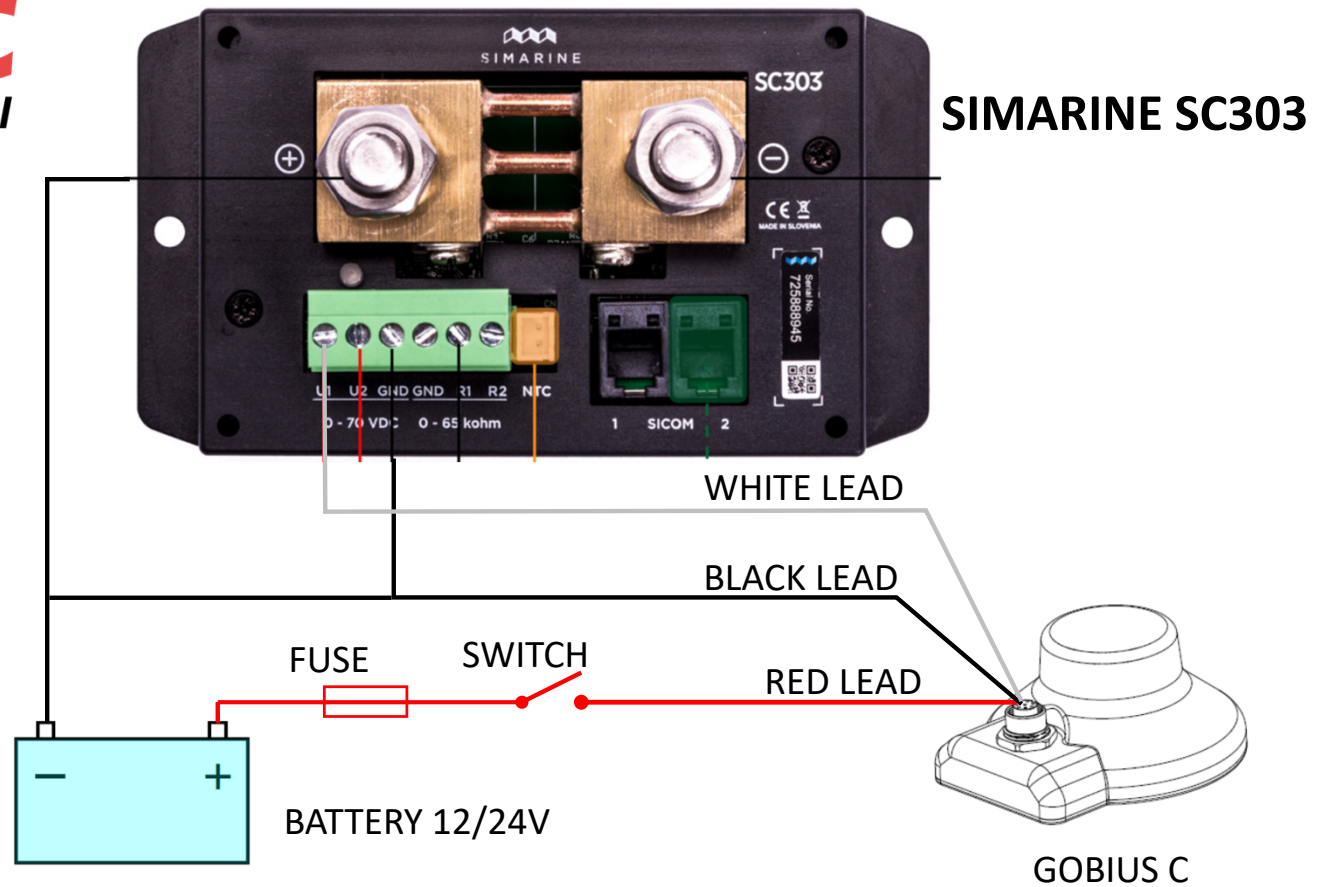


Connection of Gobius C
to
SIMARINE ST107 Digital Tank Module
&
SIMARINE SC303 Active Digital Shunt



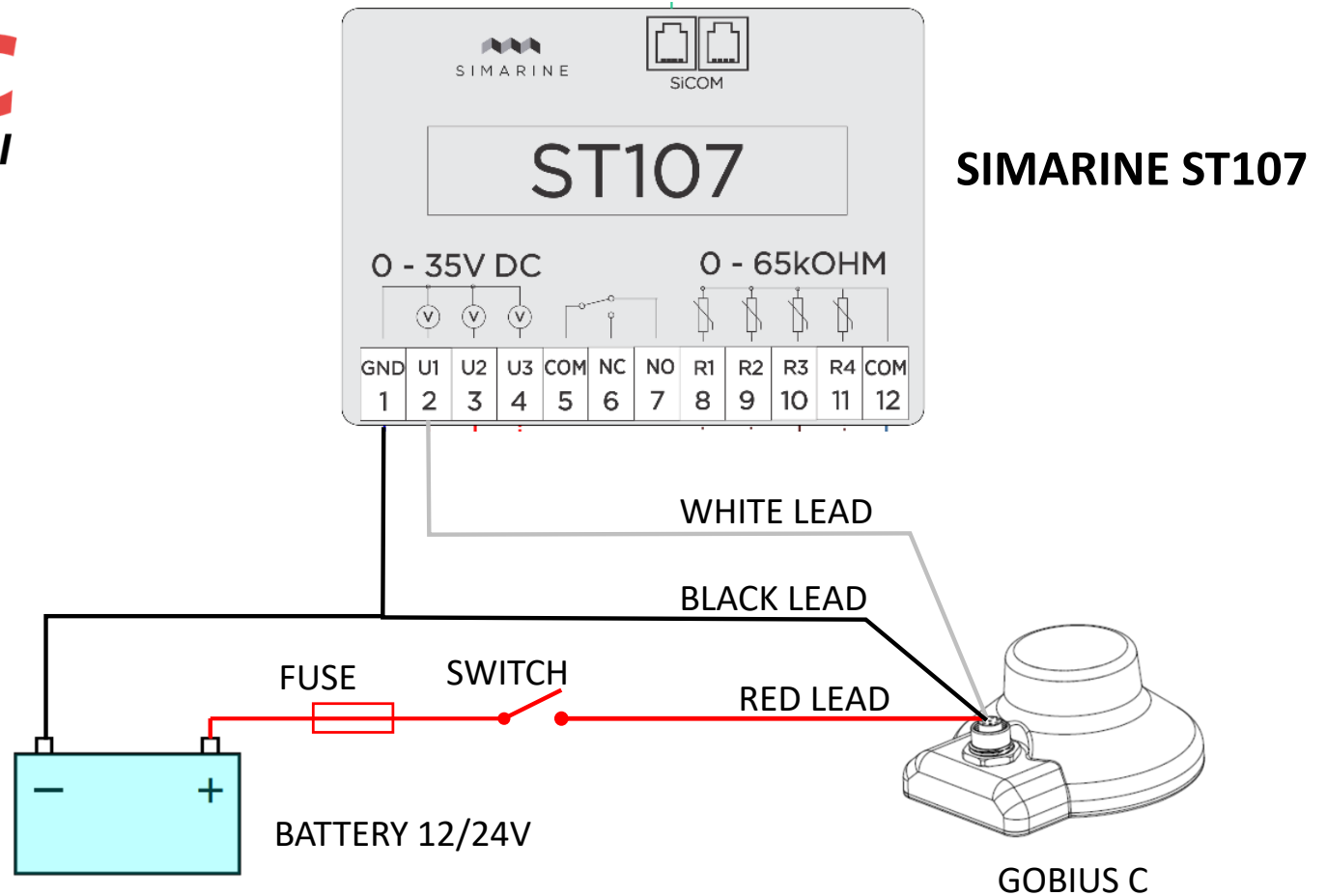
- The Gobius C can be powered with a DC voltage of 12-24 V (Maximum is 28.0 V DC)
- The Gobius C and the Simarine system must have a common ground connection
- The Simarine Pico tank configuration shall be set up for voltage input. The calibration points in the unit shall be set up as follows:
 - Empty tank = 0.5 V
 - Full tank = 4.5 V

Gobius®
'C' the Exact Tank Level



Connect Gobius C red lead to battery plus (after switch)
Connect Gobius C black lead to SC303 screw terminal "GND"
Connect Gobius C white lead to SC303 screw terminal "U1"

Gobius[®] C
'C' the Exact Tank Level



Connect Gobius C red lead to battery plus (after switch)
Connect Gobius C black lead to ST107 screw terminal "GND"
Connect Gobius C white lead to ST107 screw terminal "U1"